



**USB-A**



**USB-B**



**IEEE 1394 A  
MINI 4P**



**IEEE 1394 B  
9P**



**USB-MINI4A**



**USB-MINI4B**



**USB-MINI4P**



**USB-MINI-TDK**



**USB-MINI5A**



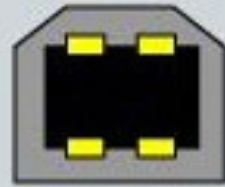
**USB-MINI5B**



**USB-MINI8M**



**USB-MINI8P**



TYPE A

TYPE B

TYPE MINI-A

TYPE MINI-B



TYPE  
MICRO-A

TYPE  
MICRO-B

TYPE MICRO-B  
USB 3.0

TYPE C

# USB Type-C Pin Layout

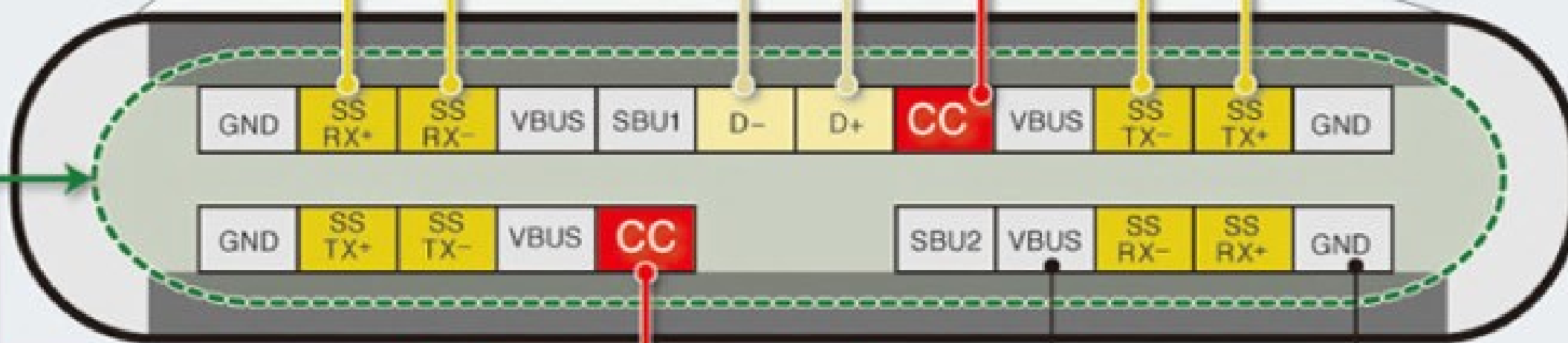


USB PD Communication

USB3.1 Data Line

USB2.0 Data Line

USB3.1 Data Line



Flippable/reversible design Data Line

USB PD Communication

Power Line

Ground

USB PD utilizes a dedicated line that will not affect data transmission