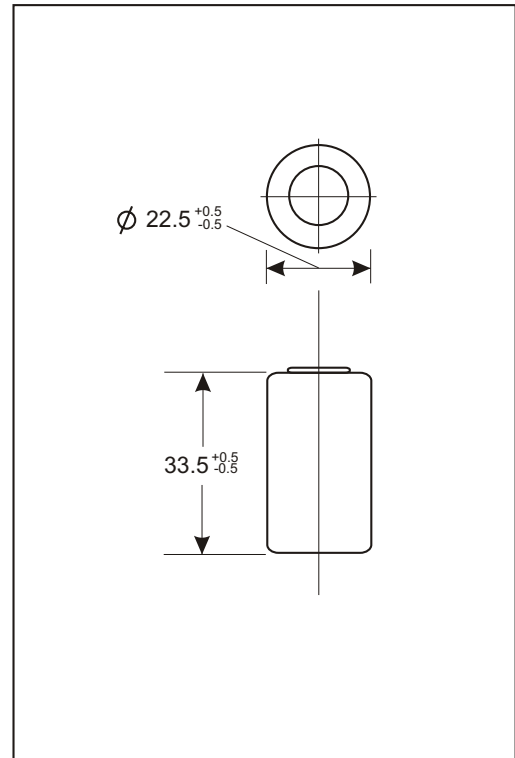


## NiMH Cylindrical Battery

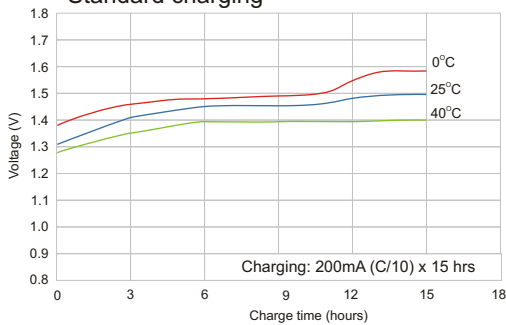
High Power type Size: 4/5 SC

### Typical Characteristics

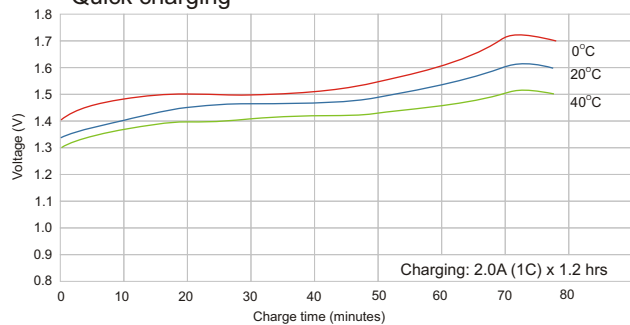
Model: MH-2000SC/HP			
Specifications			
Nominal Voltage (V)		1.2V	
Capacity	Discharge rate	C/5	1C
	Normal (mAh)	2000	1800
	Typical (mAh)	2150	1900
Dimension	Diameter (mm)	22.5 <sup>+0.5</sup> <sub>-0.5</sub>	
	Height (mm)	33.5 <sup>+0.5</sup> <sub>-0.5</sub>	
Charging	Standard	200mA x 15 hrs	
	Quick	2000mA x 1.2 hrs T <sub>max</sub> =55°C - ΔV = 5~10mV	
Operating Temperature (°C)	Standard Charging	0 ~ 45°C	
	Rapid Charging	10 ~ 40°C	
	Discharging	-20 ~ 60°C	
	Storage	-20 ~ 35°C	
Internal Resistance	≤ 10m Ohm (upon 50% discharge)		
Weight	Approx.42g		
Cuff-off Voltage (V)	1.00		



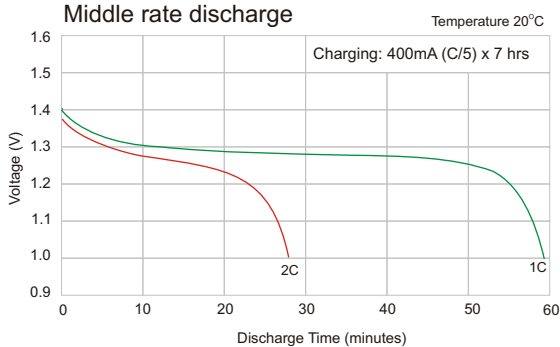
Standard charging



Quick charging



Middle rate discharge



High rate discharge

